

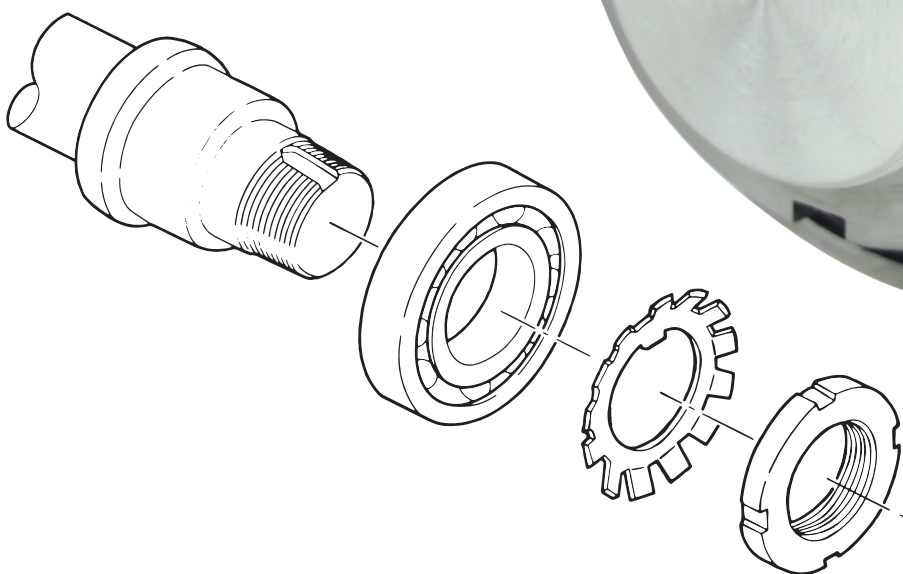
Bearing Lock Nuts

The bearing lock nut was developed to provide secure mounting and location of a bearing on a shaft.

The manufacturer has more than 30 years experience in lock nut technology and their factory is TS 16949 approved.

Key Benefits

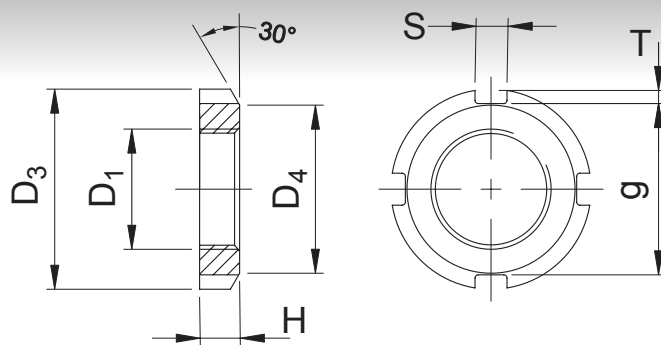
- Secure locking
- Available in Carbon and Stainless Steel
- Superior material for high integrity product
- Sizes from M10 to M100 available from stock
- Tab washers also available from stock
- Sockets/spanners available
- KM lock nuts to DIN 981:2009



First Choice for Locking Solutions

abis
bearing lock nuts

Size Range & Ordering Information



Thread Size D ₁	Carbon Steel	Stainless Steel	D ₃	D ₄	g	T	S	H	Tab Washer	Socket	C - Spanner	
M10 x 0.75	KM00	KM00SS	18	13.5	14	2	3	4	MB0	FU00	C00	
M12 x 1.0	KM01	KM01SS	22	17	18				MB1	FU01	-	
M15 x 1.0	KM02	KM02SS	25	21	21		4	5	MB2	FU02	C01	
M17 x 1.0	KM03	KM03SS	28	24	24				MB3	FU03		
M20 x 1.0	KM04	KM04SS	32	26	28		5	6	MB4	FU04	C02	
M25 x 1.5	KM05	KM05SS	38	32	34				MB5	FU05	C03	
M30 x 1.5	KM06	KM06SS	45	38	41		6	7	MB6	FU06		C04
M35 x 1.5	KM07	KM07SS	52	44	48				MB7	FU07		
M40 x 1.5	KM08	KM08SS	58	50	53		2.5	6	9	MB8	FU08	C05
M45 x 1.5	KM09	KM09SS	65	56	60				10	MB9	FU09	C06
M50 x 1.5	KM10	KM10SS	70	61	65	3	7	11	MB10	FU10	C07	
M55 x 2.0	KM11	KM11SS	75	67	69				MB11			
M60 x 2.0	KM12	KM12SS	80	73	74	3.5	8	12	MB12		C08	
M65 x 2.0	KM13	KM13SS	85	79	79				MB13			
M70 x 2.0	KM14	KM14SS	92	85	85	4	10	16	MB14		C09	
M75 x 2.0	KM15	KM15SS	98	90	91				13	MB15		
M80 x 2.0	KM16	KM16SS	105	95	98	4	10	17	15	MB16	-	
M85 x 2.0	KM17	KM17SS	110	102	103				16	MB17		C10
M90 x 2.0	KM18	KM18SS	120	108	112	4	10	18	17	MB18		
M95 x 2.0	KM19	KM19SS	125	113	117				17	MB19		C11
M100 x 2.0	KM20	KM20SS	130	120	122				18	MB20		

Materials

Material	JIS		ISO		BS	
	Nut	Washer	Nut	Washer	Nut	Washer
Carbon Steel	C45	DC01	1.0503	1.0330	070M46	CR4
Stainless Steel	SUS304	SUS304	1.4301	1.4301	304S31	304S31

For competitive prices and fast deliveries, call us on 01202 339559

